

UTC TA7358P LINEAR INTEGRATED CIRCUIT

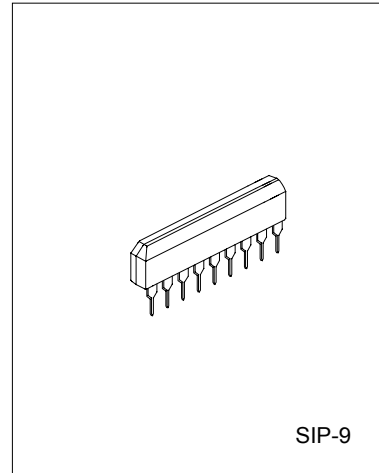
FM FRONT-END

DESCRIPTION

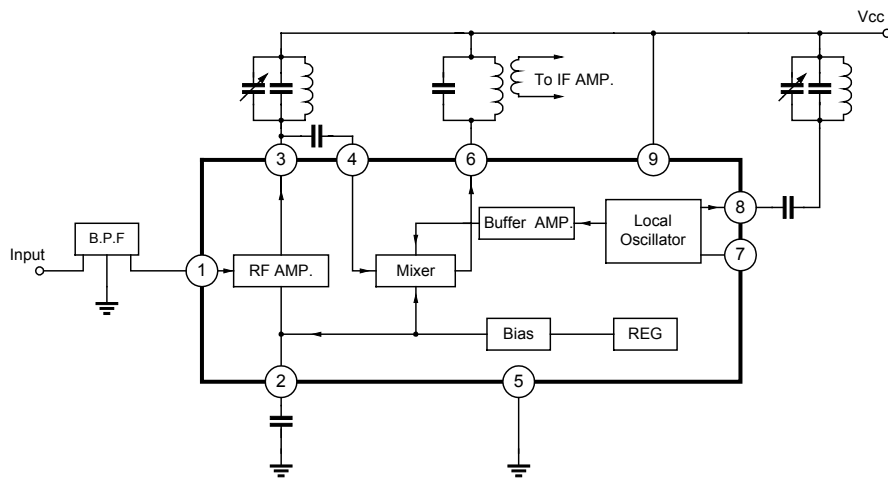
The UTC TA7358P is designed for a FM front-end application, which is suitable to a portable radio or a radio cassette. Comparing with conventional types, supply voltage dependence, overload characteristics and spurious radiation characteristics are improved.

FEATURES

- *Excellent supply voltage dependence of local oscillator: oscillator stop $V_{cc}=0.9V$ (typ)
- *Improved inter-modulation characteristics by double balanced type mixer circuit
- *Low spurious radiation
- *Wide operating voltage range(1.6V to 6V)



BLOCK DIAGRAM



ABSOLUTE MAXIMUM RATINGS($T_a=25^\circ C$)

PARAMETER	SYMBOL	VALUE	UNIT
Supply Voltage	V_{cc}	8	V
Power Dissipation	P_D	500	MW
Operating Temperature	T_{opr}	-25 ~ 75	$^\circ C$
Storage Temperature	T_{stg}	-55 ~ 150	$^\circ C$

UTC TA7358P LINEAR INTEGRATED CIRCUIT

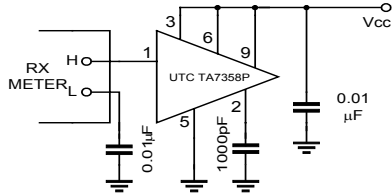
ELECTRONIC CHARACTERISTICS (Ta=25°C, Vcc=5V, f=83MHz, fm=1kHz, Δf=22.5kHz, unless otherwise specified)

PARAMETER		SYMBOL	TEST CIRCUIT	TEST CONDITIONS	MIN	TYP	MAX	UNIT
Quiescent Current		I _Q		V _{IN} =0		5.2	8	mA
-3dB Limiting Sensitivity		V _{IN(lim)}	2	-3dB		3	7	dB _μ
Quiescent Sensitivity		Q _s (dB _μ)	2			11		dB _μ
Conversion Gain		G _c				31		dB
Local OSC Voltage		V _{osc}	1	f _{osc} =60MHz	90	165	220	mV _{rms}
Pin 1	Parallel Input Resistance	R _{ip1}	3			57		Ω
Impedance	Parallel Output Resistance	C _{ip1}						pF
Pin 3	Parallel Input Resistance	R _{ip3}	3	f=83MHz		25		Ω
Impedance	Parallel Output Resistance	C _{ip3}				2		pF
Pin 4	Parallel Input Resistance	R _{ip4}	3			2.7		Ω
Impedance	Parallel Output Resistance	C _{ip4}				3.3		pF
Pin 6	Parallel Input Resistance	R _{ip6}	3	f=10.7MHz		100		Ω
Impedance	Parallel Output Resistance	C _{ip6}				4.8		pF
Local OSC Stop Voltage		V _{STOP}	1			0.9	1.3	V

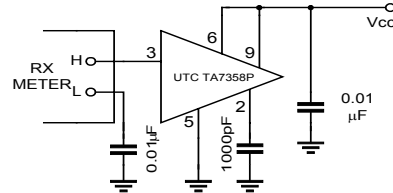
UTC TA7358P LINEAR INTEGRATED CIRCUIT

TEST CIRCUIT 3

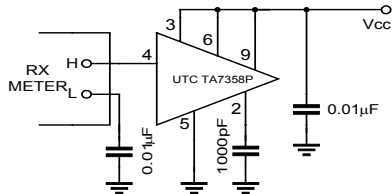
(a) R_{p1}



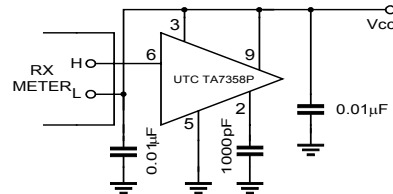
(b) R_{OP3}, C_{OP3}



(c) R_{p4}, C_{ip4}



(d) R_{OP6}, C_{OP6}



TEST CIRCUIT COIL DATA

COIL	f _o	Q _o	TURNS	CAPACITANCE	
T1 RF COIL	100MHz	100	0.7mmΦ, 2.25T Center Tap	15pF	
T2 OSC COIL	100MHz	100	0.7mmΦ, 2.5T	15pF	
T3 IFT	10.7MHz	115	(1) ~ (3) 2T (4) ~ (6) 1T Φ0.12mm	75pF	
T4 QUAD COIL	10.7MHz	150	(4) ~ (6) 14T Φ0.12mm	47pF	

UTC TA7358P LINEAR INTEGRATED CIRCUIT

UTC assumes no responsibility for equipment failures that result from using products at values that exceed, even momentarily, rated values (such as maximum ratings, operating condition ranges, or other parameters) listed in products specifications of any and all UTC products described or contained herein. UTC products are not designed for use in life support appliances, devices or systems where malfunction of these products can be reasonably expected to result in personal injury. Reproduction in whole or in part is prohibited without the prior written consent of the copyright owner. The information presented in this document does not form part of any quotation or contract, is believed to be accurate and reliable and may be changed without notice.